

# PRODUCT INFORMATION PACKET

Model No: 5KH32DN5597X

Catalog No: HG679

1/4 HP Carbonator Pump Motor, 1 phase, 1800 RPM, 115 V, 48Y Frame, ODP  
Carbonator Pump Motors





### Nameplate Specifications

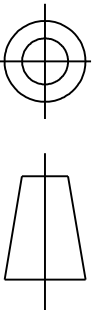
Output HP	0.25 Hp	Output KW	0.19 kW
Frequency	60 Hz	Voltage	115 V
Current	5 A	Speed	1725 rpm
Service Factor	1	Phase	1
Efficiency	52.5 %	Power Factor	0
Duty	Continuous	Insulation Class	B
KVA Code	S	Frame	48Y
Enclosure	Drip Proof	Thermal Protection	AUTO
Ambient Temperature	40 °C	Drive End Bearing Size	6203
Opp Drive End Bearing Size	6203	UL	Recognized
CSA	Yes	CE	N

### Technical Specifications

Electrical Type	Split Phase	Starting Method	SM
Poles	4	Rotation	Counterclockwise/Clockwise
Mounting	Rigid Base	Motor Orientation	ANY
Drive End Bearing	BALL	Opp Drive End Bearing	Ball
Frame Material	Rolled Steel	Overall Length	7.69 in
Frame Length	5.16 in	Shaft Diameter	0.500 in
Shaft Extension	0.17 in		
Connection Drawing	52A105379AA	Outline Drawing	52A109311P1

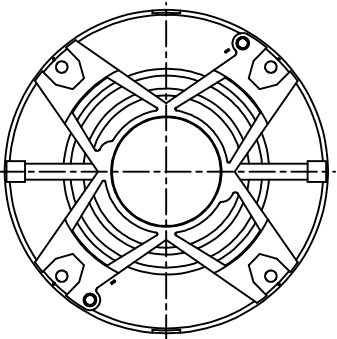
This is an uncontrolled document once printed or downloaded and is subject to change without notice. Date Created:03/11/2020

THIRD ANGLE PROJECTION

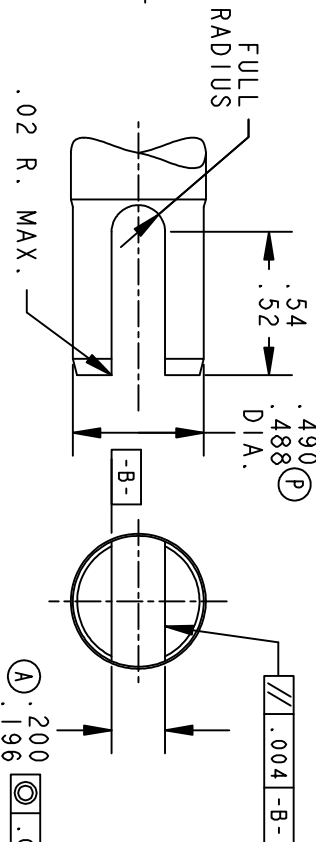


REVISIONS

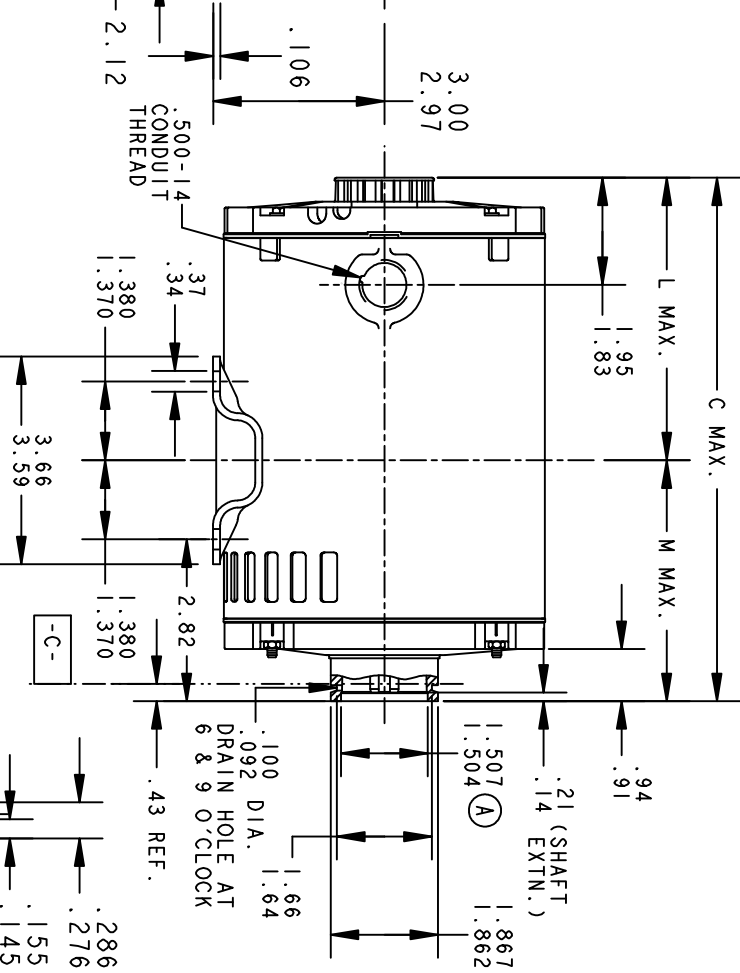
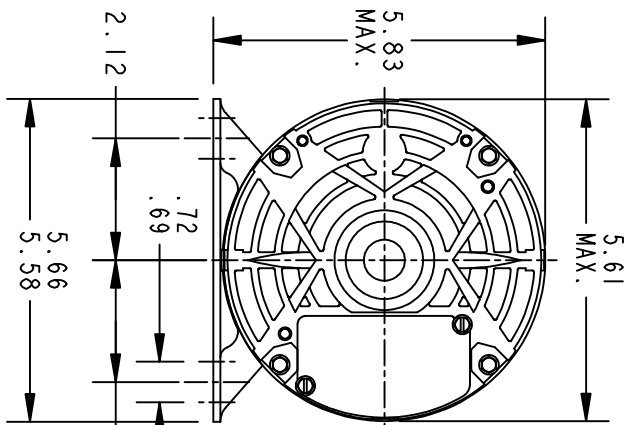
REV.	DESCRIPTION	DATE	APPROVED
4	CHG TO RBC FORMAT PER IS05-11777	03/09/06	SUDHA



VIEW SHOWING P.E. VENTILATION OPENINGS



CONTROL SURFACES & DIMENSIONS  
 (P) PROC.  
 (E) ENG.  
 (A) APPL.  
 (R) REG.



KCR	35	48Y	8.32	4.18	4.28	
2	KH	33	48Y	7.94	3.80	4.28
1	KH	32	48Y	7.69	3.55	4.28
P	TYPE	GE	NEMA	C	L	M
		SIZE	FR			

SIGNATURES		DATE
MODEL	M.D. PAPE	11/12/93
DETAIL		
CHECKED		
ENGRG		
MFG		
QUALITY		
ISSUED	M.D. PAPE	11/12/93

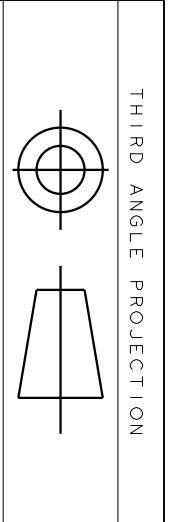
**REGAL-BELOIT CORPORATION**

**OUTLINE**

**CARBONATOR PUMP - OPEN - WELDED BASE - SLV. BRG.**

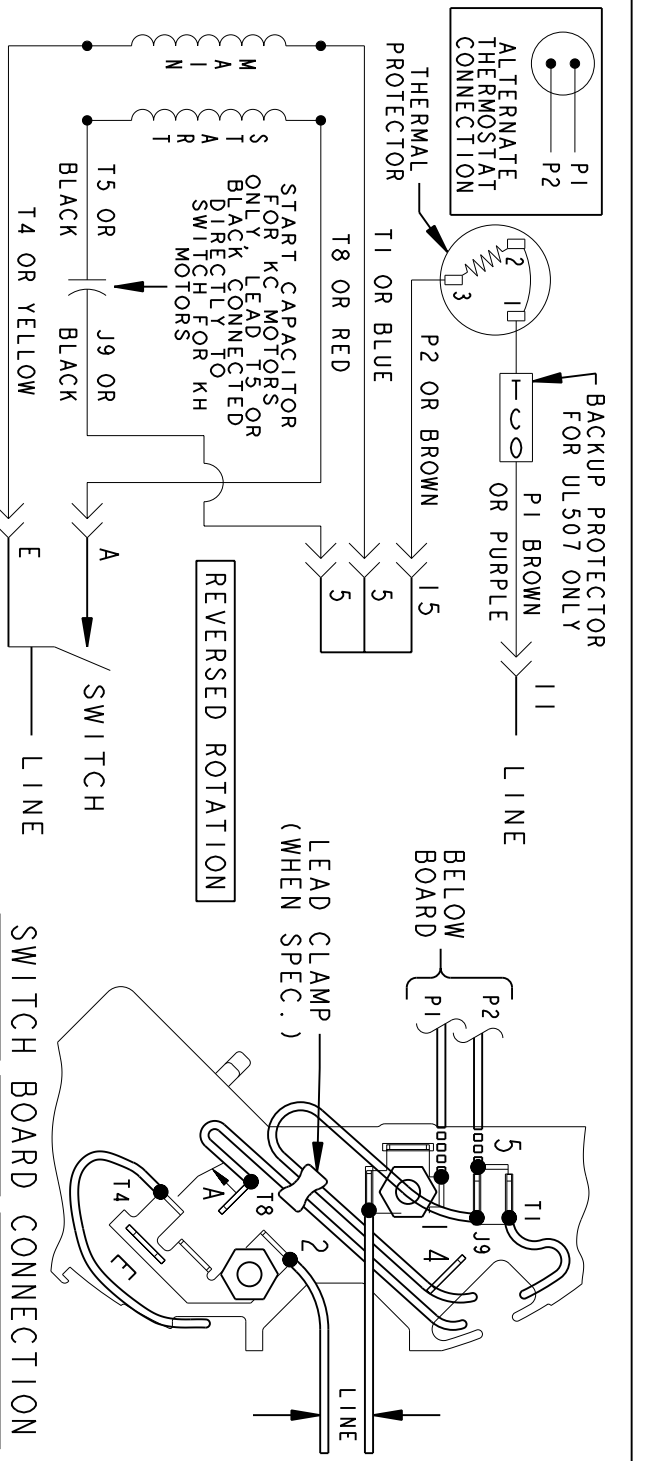
**52A109311**

SCALE: 0.250 REF. No.: SHEET 1 OF 1



REV.	DESCRIPTION	DATE	APPROVED
6	UPDATED FORMAT	12/01/05	MAM

EITHER ROTATION-SINGLE VOLTAGE-TYPE KC OR KH-WITH THERMAL PROTECTOR



NOTE #1 - TO REVERSE ROTATION INTERCHANGE RED (T8) AND BLACK (J9-KC OR T5-KH) LEADS.  
 NOTE #2 - WHEN MORE THAN ONE CAPACITOR IS USED CONNECT IN PARALLEL.  
 SWITCH (C) - 115D958AB REF. DIAG. - 121A851 CONN. LABEL - 52X332048

SIGNATURES	DATE
MODEL M.D.PAPE	06/29/87
DETAIL	
CHECKED	
ENGRG	
MFG	
QUALITY	
ISSUED	M.D.P. 03/08/00
SOLID MODEL: 52A105379AA	

**REGAL-BELOIT CORPORATION**

**REGAL-BELOIT**

**CONNECTION DIAGRAM**

**FMF - 30 FR SWITCH REDESIGN**

SCALE: 1.000 REF. No.:

52A105379AA

REV 6

SHEET 1 of 1